
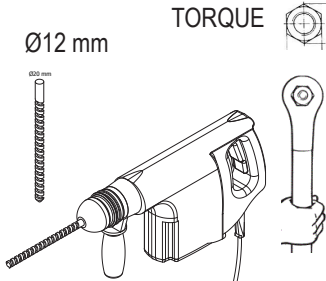
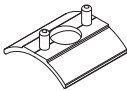
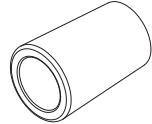
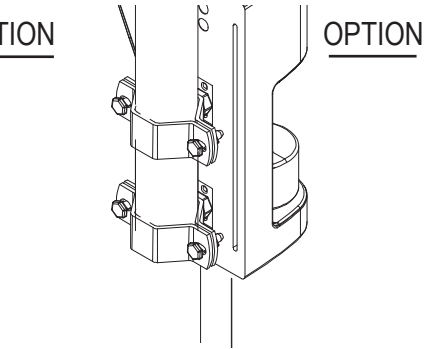
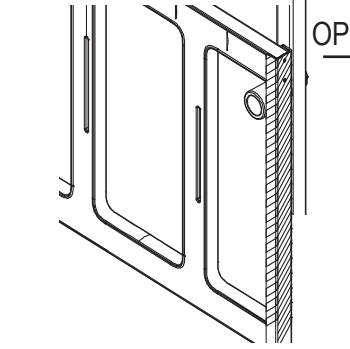
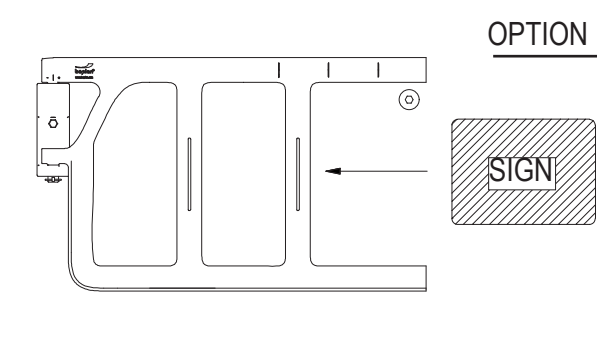
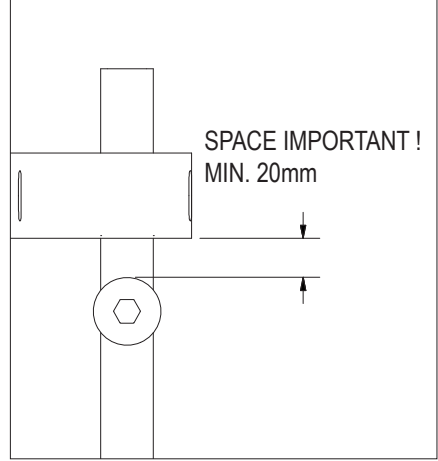
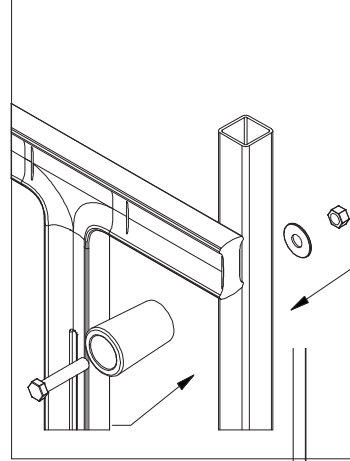
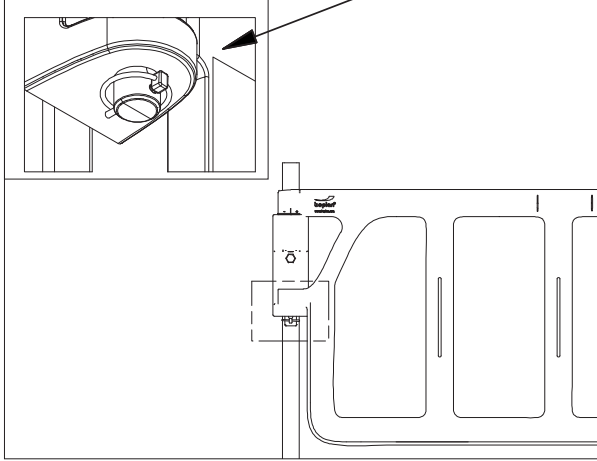
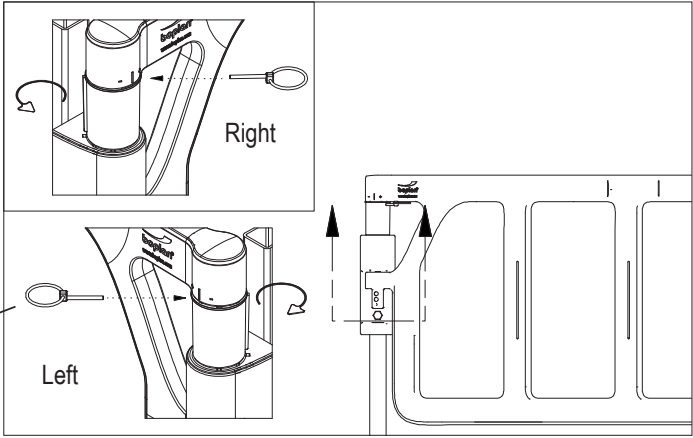
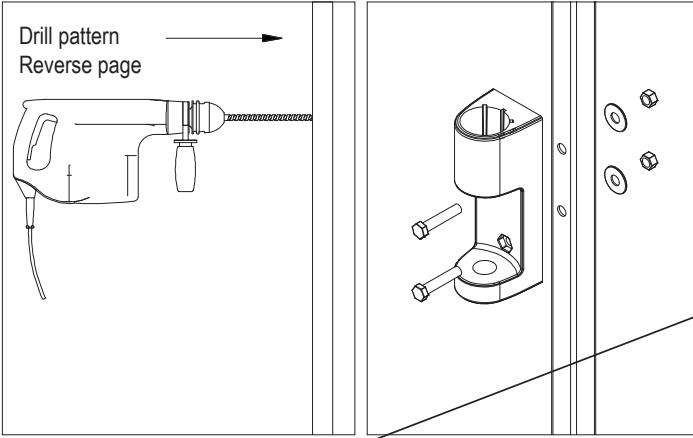
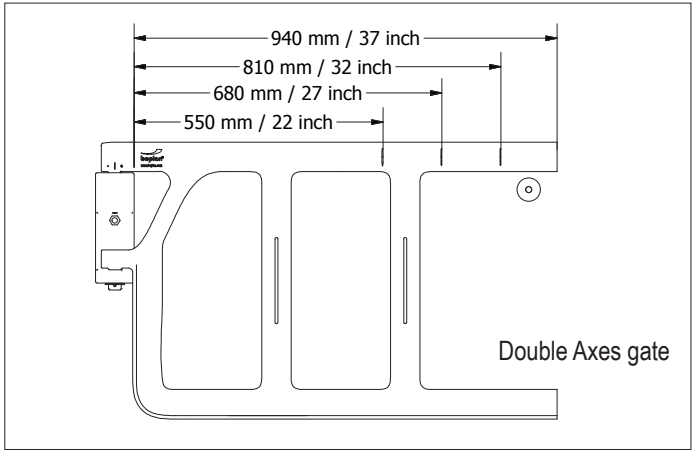
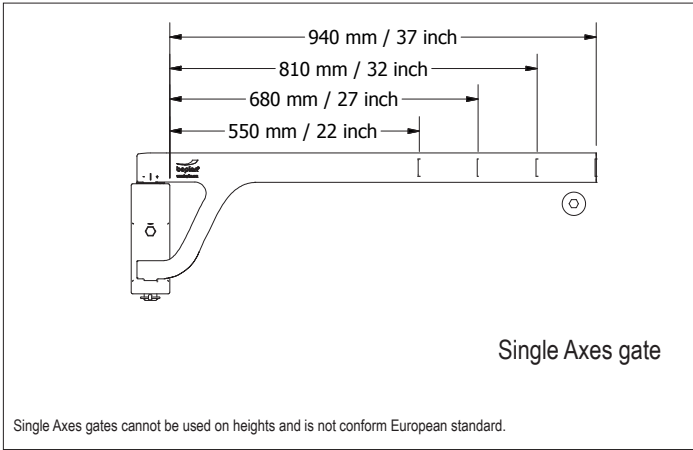
 <p>3x M12x60 - A2</p>	 <p>1x</p>	<p>Ø12 mm</p> <p>TORQUE</p> 
 <p>2x</p>	 <p>1x</p>	



SCALE 1/1

