
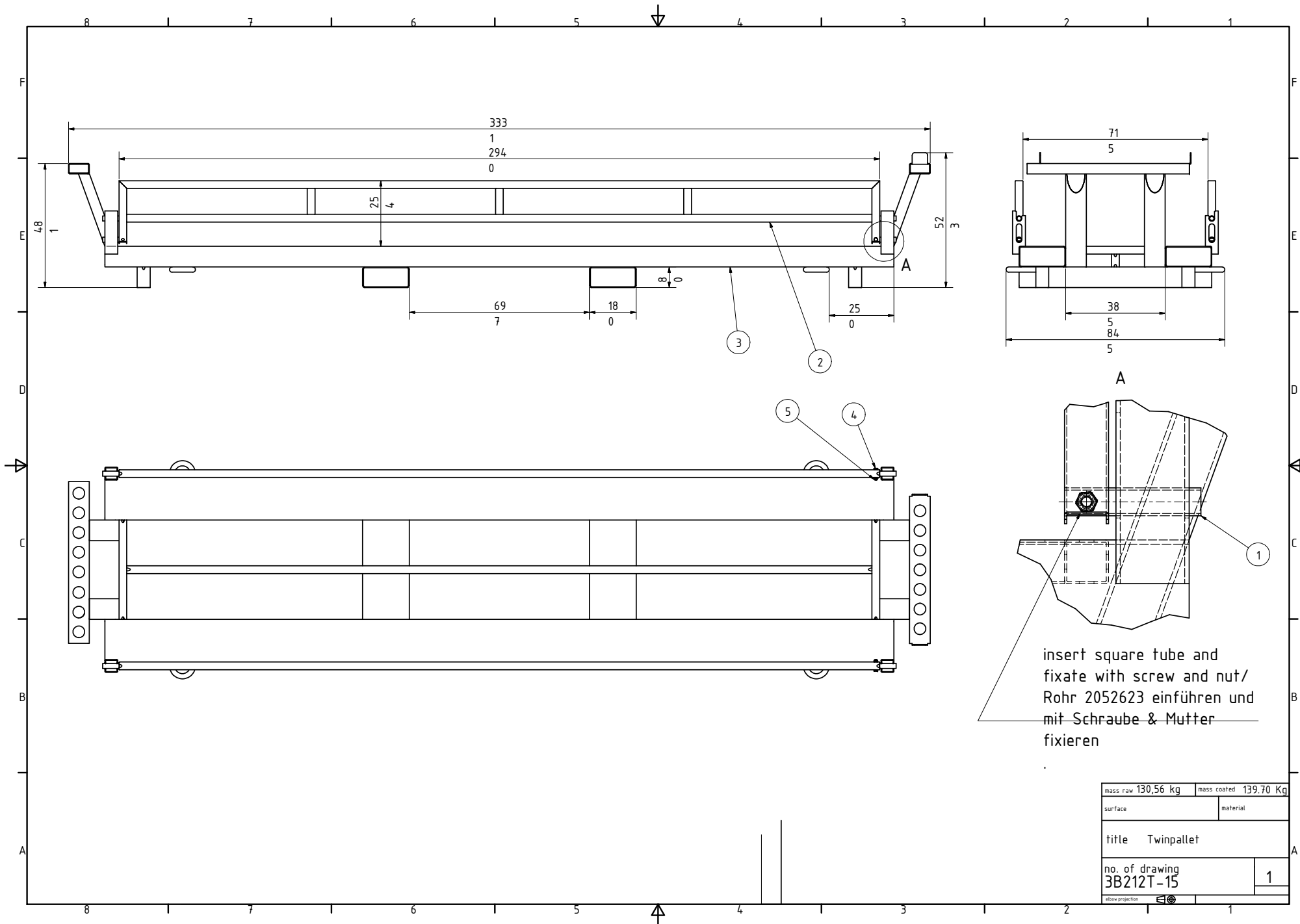
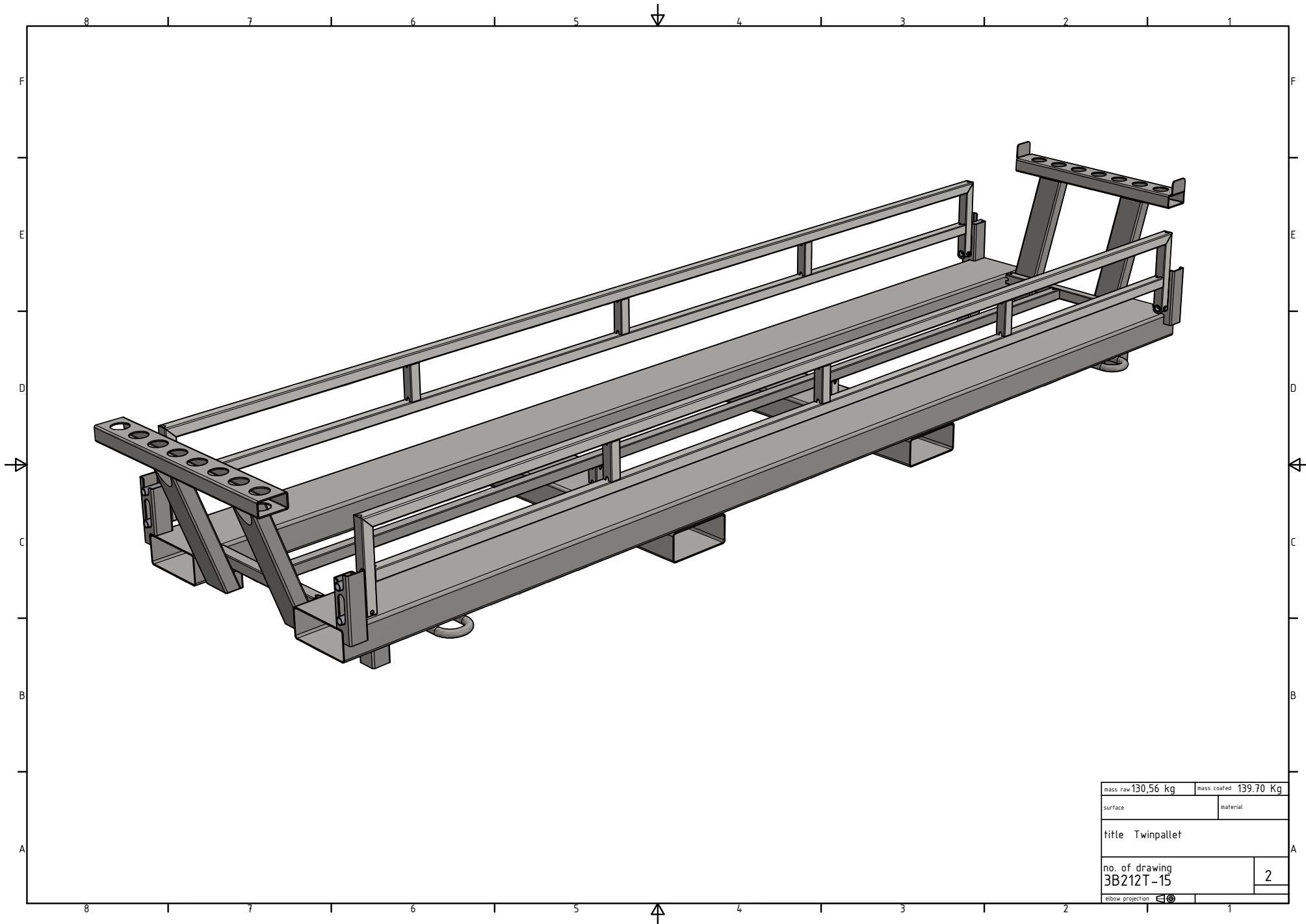


mass raw	151,48 kg	mass coated	161.45 Kg
surface		material	
title Twinpallet			
no. of drawing 3B212T			1
elbow projection 			

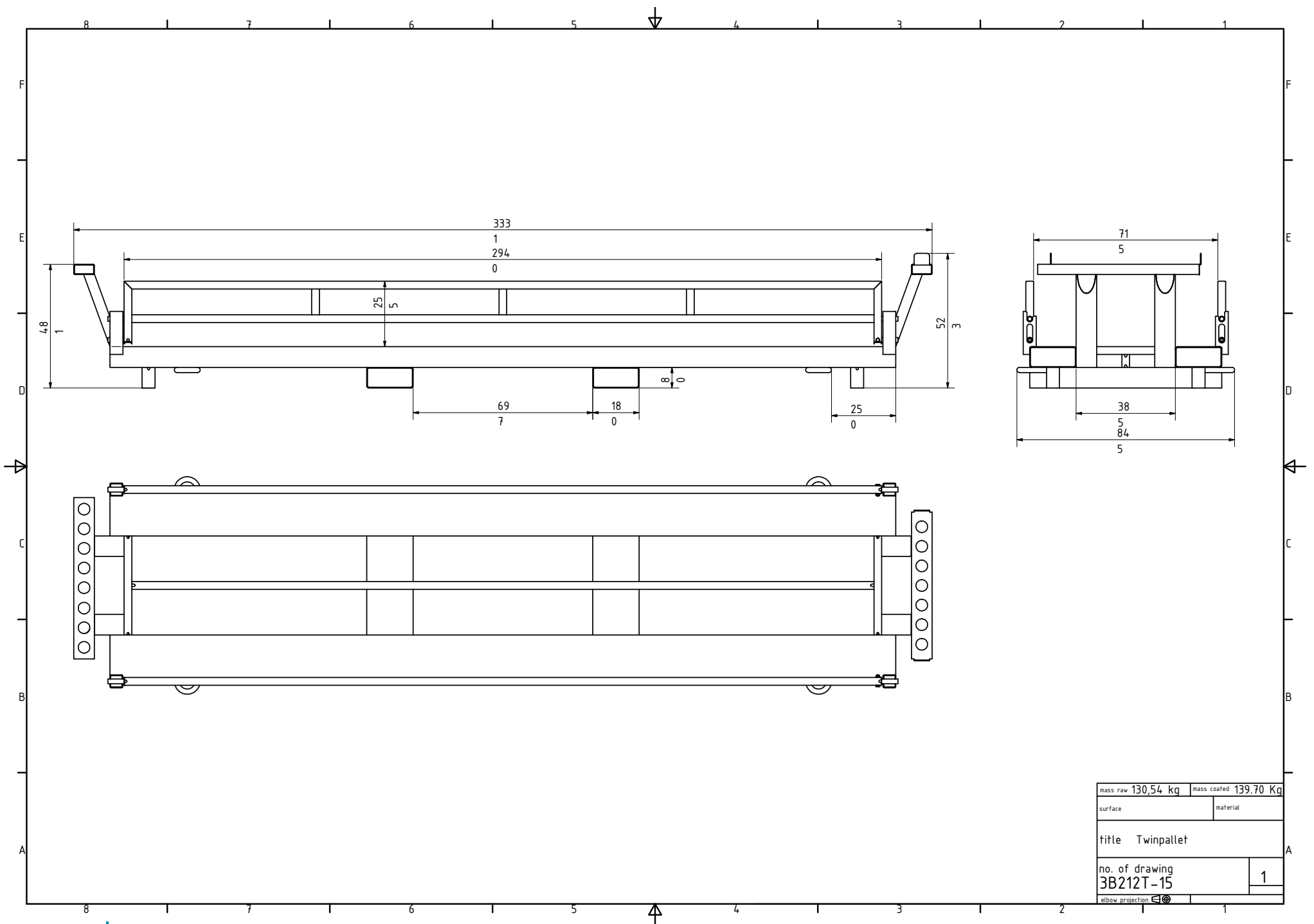


insert square tube and
fixate with screw and nut/
Rohr 2052623 einführen und
mit Schraube & Mutter
fixieren

mass raw 130,56 kg	mass coated 139,70 Kg
surface	material
title Twinpallet	
no. of drawing 3B212T-15	1
show projection	



mass raw 130,56 kg	mass coated 139,70 Kg
surface	material
title Twinpallet	
no. of drawing 3B212T-15	2
elbow projection	EL



mass raw 130,54 kg	mass coated 139,70 Kg
surface	material
title Twinpallet	
no. of drawing 3B212T-15	1
elbow projection	